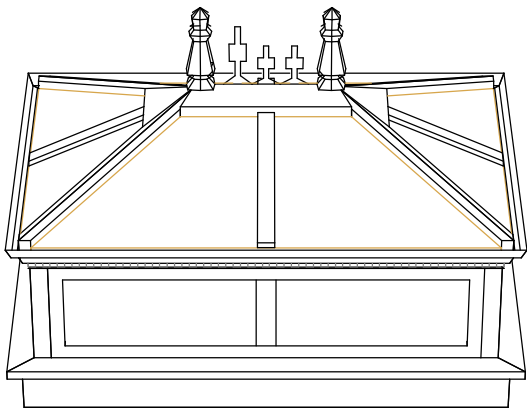
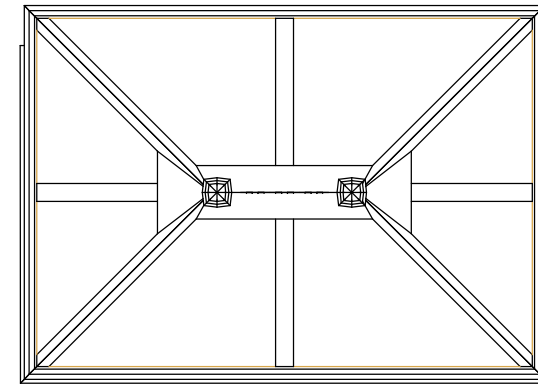


1500



1000



1000

1500

Mr Jones
Any House
Any Street
Any Town
Any County
AN1 1OWN
TEL: 01234 567890
FAX: mrjones@domain.com

[Email: mrjones@domain.com]

ukrooflights
The Mezzanine, Grand Designs
Ray Lane Business Park, Barnacre
Preston, Lancashire. PR3 1GD.
TEL: 020 7193 2610
FAX: 0800 066 4716